

V&T Oil-Free Scroll Air Compressor

Reliable Performance & Clean and Oil-Free & Low Vibration & Low Noise



Less Main Motor Component & Simple Structure High Reliability & Long Service Life

Pursue better product performance and user experience!



Cleanness

Conform to the global highest standard of oil free air compressing, use air and be clean and safe.



Reliability

Less accessories, no wearing parts, long service life and less maintenance.



Energy saving

Paralleling several machines and Automotive controlling specific main machine according to the actual use. No pollution.



Silence

Low noise and vibration; can used for precise machines.

Company profile



Shenzhen V&T Technologies Co., Ltd. is a listed company (the stock code: 300484). Located in Guangming district, Shenzhen, we have engaged in AC drive, EV motor controller, elevator controller and servo driver for about 20 years. Oil-Free Scroll Air Compressor is our new product specialized in industries with the standard of 0-class oil free certification.

We are a high-tech company specializing in the R&D, production, sale and service of oil-free scroll air compressor. We adhere to the philosophy of "pioneering, innovation,

integrity, and pragmatism" to further standardize the management of the enterprise in accordance with the modern enterprise system, and regard "creating value for customers, employees, enterprise and the society" as the management concept.

We insist on the continuous improvement of our core technology, participate in the competition of international mainstream brands, and provide advanced new energy products and system solutions. Thus, we are devoted to satisfy the personalized design needs of mid and high-level customers quickly and effectively.

Product introduction

V&T oil-free scroll air compressor is featured with stable performance, cleanness, no oil, low vibration and low noise. There is no need to add any oil medium in the working process, and the compressed air conforms to the highest class zero oil-free standard of ISO-8573-1. In addition, it works continuously without any additional work with advantages of few accessories, simple structure, high reliability, and long service life. When meeting customer demand for high-quality compressed air, we are constantly striving for higher product performance and better customer service.



Technical Principle



Fig.1



Fig.2



Fig.3



Fig.4

As the rotating orbiter rotates in the sequence shown in Figure 1-2-3-4, the volume of crescent-shaped compression chamber slowly diminishes, and the air inside the chamber is gradually compressed. Then, the compressed air is discharged from the center of the static disk.

V SERIES OIL-FREE SCROLL AIR COMPRESSOR UNIT

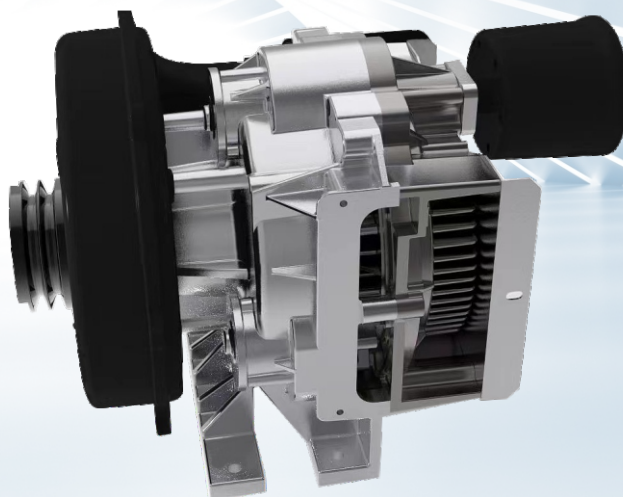


Model	V-15B	V-22B	V-37B	V-75B	V-110B	V-150B	V-185B	V-220B	V-260B	V-300B
Maximum Pressure Mpa	0.8/1.0									
Emission Volume m ³ /min	0.17/0.12	0.24/0.2	0.4/0.35	0.8/0.7	1.2/1.05	1.6/1.4	2/1.75	2.4/2.1	2.8/2.45	3.2/2.8
Power Supply	3 phase 380V50Hz									
Rated Power kW	1.5	2.2	3.7	3.7*2	3.7*3	3.7*4	3.7*5	3.7*6	3.7*7	3.7*8
Drive Mode	Belt Drive									
Controller type	Pressure switch/textedit controller/touch screen controller									
Tank Volum L	Additional external tank									
Noise dB(A)	46 ± 3	49 ± 3	49 ± 3	49 ± 3	55 ± 3	57 ± 3	59 ± 3	61 ± 3	62 ± 3	62 ± 3
Outlet Diameter Inch	R1/2	R1/2	R1/2	R3/4	R1	R1	R1 1/2	R1 1/2	R1 1/2	R1 1/2
Dimension L*W*H(mm)	570*600*805			660*895*945	740*1155*1670			1485*1150*1670		
Weight kg	130	130	135	253	430	515	825	915	1005	1100

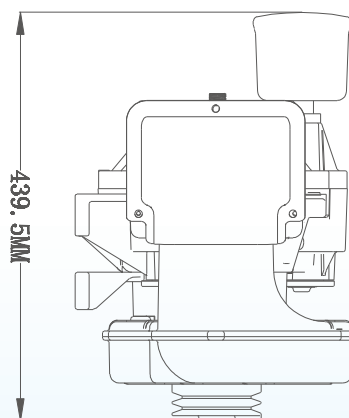
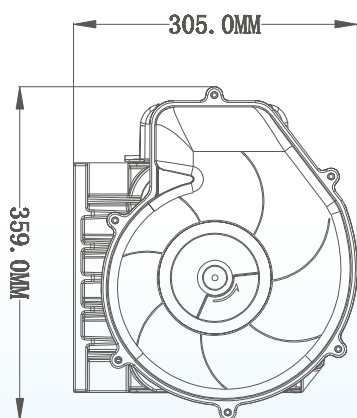
Note:

1. Noise values are measured in a non-echoing chamber at 1.5m from the front, during continuous operation at full load;
2. The ambient temperature of the product is from 0°C to 40 °C, not suitable for applications where condensate freezing occurs;
3. The test environment of the exhaust volume is one standard atmospheric pressure and 25-degree ambient temperature. The exhaust volume will vary slightly due to different environments.

V SERIES OIL-FREE SCROLL AIR COMPRESSOR MODULE



Specification



Model	Rated power kW (HP)	Maximum pressure MPa	Emission Volume L/min	Noise dB(A)	Dimension L*W*H(mm)	Weight (kg)
V-1.5-8	1.5	8	170	52	358*350*290	15
V-1.5-10	1.5	10	120	52	358*350*290	15
V-2.2-8	2.2	8	240	55	358*350*290	15
V-2.2-10	2.2	10	205	56	358*350*290	15
V-3.7-8	3.7	8	400	58	455*405*293	22
V-3.7-10	3.7	10	350	58	455*405*293	22
V-5.5-8	5.5	8	600	70	422*420*355	25
V-5.5-10	5.5	10	550	70	422*420*355	25

Application

Beverage



Laboratory



High-Speed Railway



EV Vehicle



Oxygen and Nitrogen Production



Textile



Precision Electronics



Coating Industry



Pharmaceuticals Industry



Shenzhen V&T Technologies Co., Ltd.

Address: Kenuo Building, Kenuo Industrial Park, No.7 Road, Tongguan Avenue, Guangming District, Shenzhen, China.

Telephone: 0755-2904 3763 Fax: +86 0755-26580821

Email: overseas@v-t.net.cn Website: www.v-t.com www.vectorque.com